



Type(s)
Project
Date
Notes

GENERAL INFORMATION

Benefit from Pharos expertise in dynamic architectural lighting with Pharos Express, the award-winning, cost-effective control solution centred around a single, reliable, set-and-forget controller that’s easy to specify and install. The software guides the user, offering curated options for lighting control, scheduling and integration features.

With DMX, DALI, and a couple of convenient contact closures and relays all on board, the Express Control provides up to 3,072 channels and is ideal for architectural lighting that requires the benefits of dynamic lighting for intelligent single-scene-per-space playback.

The free Express Touch mobile app provides auto generated pages of user controls on any smart device over local Wi-Fi. The companion wall-mount touchscreens; available in 5” and 8” models, the Repeat accessory, which is a convenient DMX splitter for output distribution, and the Switch accessory provides for simple PoE networking to support your Express PoE devices.

With the reliability you expect and our expertise in dynamic lighting in architecture and entertainment: an easy to install, easy to use control solution.

APPLICATION

- One Controller - All you need in one stand-alone box. Up to 3,072 channels of eDMX, two local DMX ports, a DALI port and two pairs of I/O onboard with simple networking for programming
- All in one compact, DIN rail mount enclosure and optional keyhole hanging. Solid-state hardware for 24/7 operation and reliability

REGULATORY AND COMPLIANCE

- CE Compliant, UKCA Compliant, cULus Listed

ORDERING INFORMATION

Express Control

Model	Description	Part Number
XPC 1	Express 1U DIN rail Control	7180A1421
XPC 2	Express 2U DIN rail Control	7180A1422
XPC 4	Express 4U DIN rail Control	7180A1423
XPC 6	Express 6U DIN rail Control	7180A1424

Related Products

Model	Description	Part Number
XPT 5 B	Express 5 in Touchscreen, Black	7180A1431-4
XPT 5 W	Express 5 in Touchscreen, White	7180A1431-5
XPT 8 B	Express 8 in Touchscreen, Black	7180A1432-4
XPT 8 W	Express 8 in Touchscreen, White	7180A1432-5
RIO G4	Pharos RIO G4	7180A1441
RIO D4	Pharos RIO D4	7180A1442
PAC R	Pharos Accessory, DMX Repeat	7180A1444
PAC S	Pharos Accessory, NET Switch	7180A1445



FEATURES

- **Straightforward Installation** - Requiring just PoE or conveniently flexible 9–48 VDC power range, with install-friendly rising-clamp connectors. Out-of-the-box, the test modes on the rotary dial select the output ports, and the push button allows raising and dimming levels for fixture testing. Test mode and levels can even be maintained indefinitely as working lights before commissioning and programming occur. Rotary dial also provides four programmable override states.
- **Output** - Available in one, two, four, and six DMX universe capacities. Two self-healing ports for convenient patching to local DMX512.
 - Pharos Accessory, DMX Repeat available for additional local DMX distribution
 - All channels are available over Ethernet distribution via eDMX protocols such as sACN and Art-Net, and via DMX ports on the Pharos RIO G4 module
 - The DALI port supports control for up to 64 DALI devices, including device discovery and configuration
- **Easy IO Integration** - The two inputs/two outputs provide contact closure to interface with controls such as fire alarm systems and keyswitch overrides. Receive DALI messages from other controllers such as wall panels or occupancy sensors
- **Express Software** - The software guides you through setting up and creating your lighting design, with helpers and clear, easy-to-follow processes. This commissioning application for Windows and macOS gives you just the tools you need, with curated options including familiar calendar-based scheduling and useful integration solutions. Spaces on the canvas simplify managing your installation, fixtures and lighting looks.
- **Network Connectivity** - From a single Ethernet cable direct to a laptop just for programming, or a static, closed network just for your lighting data, to the facility's local IT network for greater connectivity including devices running the Express Touch mobile app, or even the Internet for comprehensive remote management via Pharos Cloud
- **Express Touch mobile app** - Download the Express Touch mobile app then connect phones and tablets via local Wi-Fi for a free user interface, with automatically generated pages created in Express software
- **Remote Management** - The control you need in your browser – from anywhere. Express Control can be connected to Pharos Cloud, our secure remote management service. Check controller status, monitor inputs and outputs, activate scenes, schedule events, upload new projects and much more.
- **Reliability** - Made for permanent installation, with installer-friendly connectors and easy DIN rail mounting. Hardware and firmware are self-sufficient, so no PC needs to be left on site. Compact unit designed for 24/7 operation and reliability.

SPECIFICATIONS

FUNCTIONAL

- Available in 1,2, 4, and 6 universes of DMX512, up to 3,072 channels of architectural control
 - Supports control of LEDs in any color configuration (RGB, RGBW, RGBA, 8-bit, 16-bit, tunable white)
 - Supports control of downlights, spotlights, uplights, etc., via controllable dimmers and relays
 - Supports control of DALI ballasts, such as single channel, Tc and XY
 - Multiple protocols can be in operation simultaneously. Limited only by the patched channels, not universes used

ELECTRICAL

- Powered by either PoE, IEEE 802.3af, Class 2 (5 W max draw) on RJ45, or 9–48 VDC input on pluggable connector (5 W max draw)
- RJ45 connection (x1) supports 10/100Base-TX Ethernet:
 - Link and data LEDs
 - Status IP or DHCP
 - Dual IP address for eDMX

CONTROL INTERFACES

- Two DMX ports on pluggable rising clamp connectors, supporting 512 channels max each (ANSI E1.11–2008)
- Supports RDM discovery and addressing via Express software (ANSI E1.20)
- sACN E1.31 standard
- Art-Net 1, Art-Net II, and Art-Net 3
- Supports KiNET v1, v2, v3, PDS/Data Enabler discovery
- DALI support for single channel, Tc and XY
- Two individually selectable inputs for contact closures, digital, or analog input
- Two individually isolated (1 KV) relay outputs (48 V, 250 mA)

MECHANICAL

- Six-unit wide DIN enclosure complies with DIN43880 and EN60715 (35/7.5 rail) with incorporated keyhole hangers
- IP40 ingress rating
- Compact, plastic enclosure.

CONFIGURATION AND USER INTERFACE

- Express software
- LED status indicators for Power, Active, Ethernet, Remote, I/O, DALI, DMX and Output
- Rotary switch for configuration/test setup selection
- Push button for intensity test mode
- Stylish auto-generated touchscreen interfaces available via free mobile app over local Wi-Fi (access point required) and, via our 5" or 8" Express Touchscreen. Elegant installation-friendly PoE wall station solution.
- Full control over most aspects of the controller's project from any device that can send HTTP requests
- UDP API to send simple commands and queries to Express Control
- microSD card (provided) for configuration storage
- Hardware watchdog and recessed reset button

THERMAL

- Ambient temperature: 0°C to 50°C (32°F to 122°F)
- 10%–90% relative humidity, non-condensing

WARRANTY

- See etcconnect.com/warranty/ for details

PHYSICAL

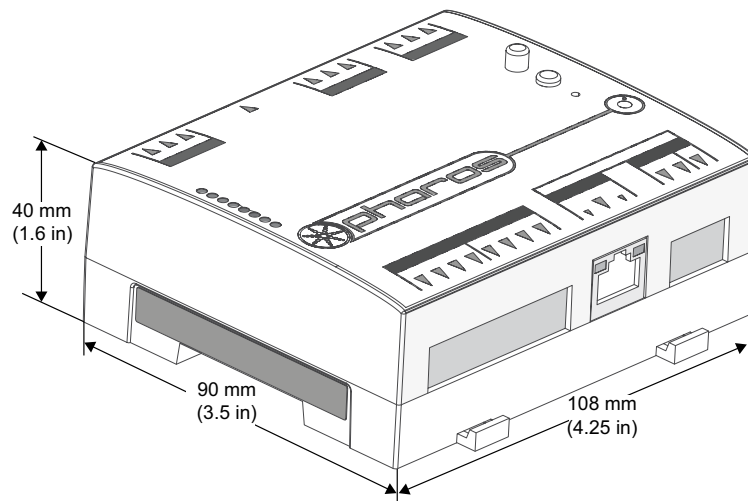
Pharos Express Control Dimensions†

Model	Height		Width		Depth	
	mm	in	mm	in	mm	in
XPC	90	3.5	108	4.25	40	1.6

Pharos Express Control Weights†

Model	Weight		Shipping Weight	
	kg	lb	kg	lb
XPC	0.2	0.5	0.35	0.8

†Weights and dimensions typical.



Corporate Headquarters • Middleton, WI USA
Global Offices • London, UK • Rome, IT • Holzkirchen, DE • Paris, FR • Hong Kong • Dubai, UAE
 New York, NY • Orlando, FL • Los Angeles, CA • Austin, TX • Squamish, BC • Victor, NY
 ©2026 ETC. All Rights Reserved. All product information and specifications subject to change. Rev B 2026-04
 *Trademark and patent info: etconnect.com/IP • Third-party license agreement info: etconnect.com/licenses

etconnect.com